

Operating instructions



aroTHERM

VWL ../2 A 230 V; VWL ../2 A 400 V

CHit, IT

Publisher/manufacturer

Vaillant GmbH

Berghauser Str. 40 | D-42859 Remscheid
Tel. +49 21 91 18-0 | Fax +49 21 91 18-2810
info@vaillant.de | www.vaillant.de



Contents

Contents

1	Safety	3	4.15	Setting the target feed temperature in heating mode.....	14
1.1	Action-related warnings	3	4.16	Setting a room thermostat or weather compensator	14
1.2	Intended use	3	4.17	Checks and maintenance carried out by the operator.....	14
1.3	General safety information.....	4	5	Troubleshooting	16
2	Notes on the documentation	8	5.1	Detecting and rectifying faults.....	16
2.1	Observing other applicable documents	8	5.2	Reading the fault message	17
2.2	Storing documents.....	8	5.3	Troubleshooting	17
2.3	Validity of the instructions	8	6	Care and maintenance	17
3	Product description	9	6.1	Maintenance	17
3.1	Design of the heat pump system	9	6.2	Caring for the product	17
3.2	Type designation and serial number.....	10	7	Decommissioning	17
3.3	Overview of the operator control elements of the VWZ AI heat pump control module	10	7.1	Having the product temporarily decommissioned.....	17
3.4	Digital Information and Analysis System (DIA)	10	7.2	Having the product permanently decommissioned.....	18
3.5	CE label	11	8	Recycling and disposal	18
4	Operation	11	8.1	Arranging disposal of coolant	18
4.1	Operating concept	11	9	Guarantee and customer service	18
4.2	Basic display.....	12	9.1	Guarantee.....	18
4.3	Operating levels.....	12	9.2	Customer service.....	20
4.4	Design of the menu.....	12			
4.5	Live Monitor (status codes).....	13			
4.6	Displaying the building circuit pressure.....	13			
4.7	Reading the operating statistics	13			
4.8	Displaying contact data.....	13			
4.9	Displaying the serial number and article number	13			
4.10	Setting the display contrast.....	13			
4.11	Setting the language.....	13			
4.12	Switching the product on/off	13			
4.13	Operating noises.....	14			
4.14	Activating frost protection	14			

1 Safety

1.1 Action-related warnings

Classification of action-related warnings

The action-related warnings are classified in accordance with the severity of the possible danger using the following warning signs and signal words:

Warning symbols and signal words



Danger!

Imminent danger to life or risk of severe personal injury



Danger!

Risk of death from electric shock



Warning.

Risk of minor personal injury



Caution.

Risk of material or environmental damage

1.2 Intended use

There is a risk of injury or death to the user or others, or of damage to the product and other property in the event of improper use or use for which it is not intended.

The product is intended for use as a heat generator in closed central heating installations.

Operation of the pump outside the application limits results in the heat pump being switched off by the internal control and safety devices.

Intended use includes the following:

- observance of the operating instructions included for the product and any other system components
- compliance with all inspection and maintenance conditions listed in the instructions.

This product can be used by children aged from 8 years and above and persons with reduced physical, sensory or mental capabilities or lack of experience and knowledge if they have been given supervision or instruction concerning use of the product in a safe way and understand the hazards involved. Children must not play with the product. Cleaning and user maintenance work must not be carried out by children unless they are supervised.

Any other use that is not specified in these instructions, or use beyond that specified in this document, shall be considered improper use. Any direct commercial or industrial use is also deemed to be improper.



1 Safety

Caution.

Improper use of any kind is prohibited.

1.3 General safety information

1.3.1 Danger caused by improper operation

Improper operation may present a danger to you and others, and cause material damage.

- ▶ Carefully read the enclosed instructions and all other applicable documents, particularly the "Safety" section and the warnings.
- ▶ Only carry out the activities for which instructions are provided in these operating instructions.

1.3.2 Risk of death due to explosions and scaldings from brine fluid

The brine fluid ethylene and propylene glycol is extremely flammable, both as liquid and steam. A potentially explosive combination of steam/air may form.

- ▶ Keep away from heat, sparks, naked flames and hot surfaces.
- ▶ Prevent steam/air mixtures from forming. Keep brine fluid vessels closed.



- ▶ Observe the safety data sheet that accompanies the brine fluid.

1.3.3 Risk of death due to lack of safety devices

The schematic drawings included in this document do not show all safety devices required for correct installation.

- ▶ Install the necessary safety devices in the system.
- ▶ Observe the applicable national and international laws, standards and guidelines.

1.3.4 Risk of chemical burns caused by brine fluid

The brine fluid ethylene glycol is harmful to health.

- ▶ Avoid contact with the skin and eyes.
- ▶ Always wear gloves and protective goggles.
- ▶ Do not inhale or swallow.
- ▶ Observe the safety data sheet that accompanies the brine fluid.

1.3.5 Preventing the risk of injury due to scalding from hot and cold components

Particularly in the coolant circuit, the components of the heat pump can reach high temperat-



ures or extremely low temperatures.

- ▶ Do not touch any uninsulated pipelines in any part of the heating installation.
- ▶ Do not remove any casing sections.

1.3.6 Risk of being scalded by hot drinking water

There is a risk of scalding at the hot water draw-off points if the hot water temperatures are greater than 50 °C. Young children and elderly persons are particularly at risk, even at lower temperatures.

- ▶ Select the temperature so that nobody is at risk.

1.3.7 Risk of death due to lack of safety devices

A lack of safety devices (e.g. expansion relief valve, expansion vessel) can lead to potentially fatal scalding and other injuries, e.g. due to explosions.

- ▶ Have your competent person check that all required isolator devices are present in your heating installation.

1.3.8 Preventing the risk of injury from freezing as a result of touching coolant

The product is delivered with an operational filling of R410A coolant. This is a chlorine-free coolant which does not affect the Earth's ozone layer. R410A is neither a fire hazard nor an explosion risk. Escaping coolant may cause freezing if the exit point is touched.

- ▶ If coolant escapes, do not touch any components of the product.
- ▶ Do not inhale any steam or gases that escape from the coolant circuit as a result of leaks.
- ▶ Avoid skin or eye contact with the coolant.
- ▶ In the event of skin or eye contact with the coolant, seek medical advice.

1.3.9 Risk of death due to changes to the product or the product environment

- ▶ Never remove, bridge or block the safety devices.
- ▶ Do not tamper with any of the safety devices.
- ▶ Do not damage or remove any seals on components.
- ▶ Do not make any changes:



1 Safety

- To the product itself
- To the supply lines
- On the drain pipework
- On the expansion relief valve for the heat source circuit
- to constructional conditions that may affect the operational reliability of the product

1.3.10 Risk of injury and material damage due to maintenance and repairs carried out incorrectly or not carried out at all

- ▶ Never attempt to carry out maintenance work or repairs on your product yourself.
- ▶ Faults and damage should be immediately rectified by a competent person.
- ▶ Adhere to the maintenance intervals specified.

1.3.11 Frost damage due to an unsuitable installation site

Frost poses a risk of damage to the product and the whole heating installation.

- ▶ You should therefore ensure that the heating installation always remains in operation during freezing conditions and

that all rooms are sufficiently heated.

Even if rooms, or the whole dwelling, are not in use for certain periods, the heating must remain in operation.

Frost protection and monitoring devices are only active while the product is connected to the power supply. The product must be connected to the power supply.

1.3.12 Frost damage caused by insufficient room temperature

If the room temperature is set too low in individual rooms, it cannot be ruled out that sections of the heating installation might be damaged by frost.

- ▶ If you are going to be away during a cold period, ensure that the heating installation remains in operation and that the rooms are sufficiently heated.
- ▶ You must observe the frost protection instructions.

1.3.13 Frost damage caused by a power cut

During installation, your competent person connected your product to the power mains. If the power supply is cut, it is possible that parts of the heat-





ing installation may become damaged by frost. If you want to use an emergency power generator to maintain the operational readiness of the product during a power cut, note the following:

- ▶ Contact your competent person for advice on installing an emergency power generator.
- ▶ Ensure that the technical values of this generator (frequency, voltage, earthing) match those of the power mains.

1.3.14 Malfunction caused by incorrect system pressure

To avoid operating the system with too little water and thus prevent resulting damage, note the following:

- ▶ Check the system pressure of the heating installation at regular intervals.
- ▶ You must observe the system pressure instructions.

1.3.15 Malfunction due to incorrect power supply

The power supply must remain within the specified limits so that the product does not malfunction:

- 1 phase: 230 V (+10/-15%)
~50 Hz

- 3 phases: 400 V (+10/-15%) 3
N ~50 Hz

1.3.16 Risk of environmental damage caused by refrigerant

The product contains a refrigerant that must not be allowed to escape into the atmosphere.

- ▶ Ensure that a qualified competent person with a refrigeration certificate services the product and, after decommissioning, recycles or disposes of it.

2 Notes on the documentation

2 Notes on the documentation

2.1 Observing other applicable documents

- ▶ You must observe all operating instructions enclosed with the system components.

2.2 Storing documents

- ▶ Keep this manual and all other applicable documents safe for future use.

2.3 Validity of the instructions

These instructions apply only to:

Applicability: Italy

Type designation	Art. no.
aroTHERM VWL 55/2 A 230 V	0010014566
aroTHERM VWL 85/2 A 230 V	0010011971
aroTHERM VWL 115/2 A 230 V	0010011972
aroTHERM VWL 155/2 A 230 V	0010014567
aroTHERM VWL 155/2 A 400 V	0010014568

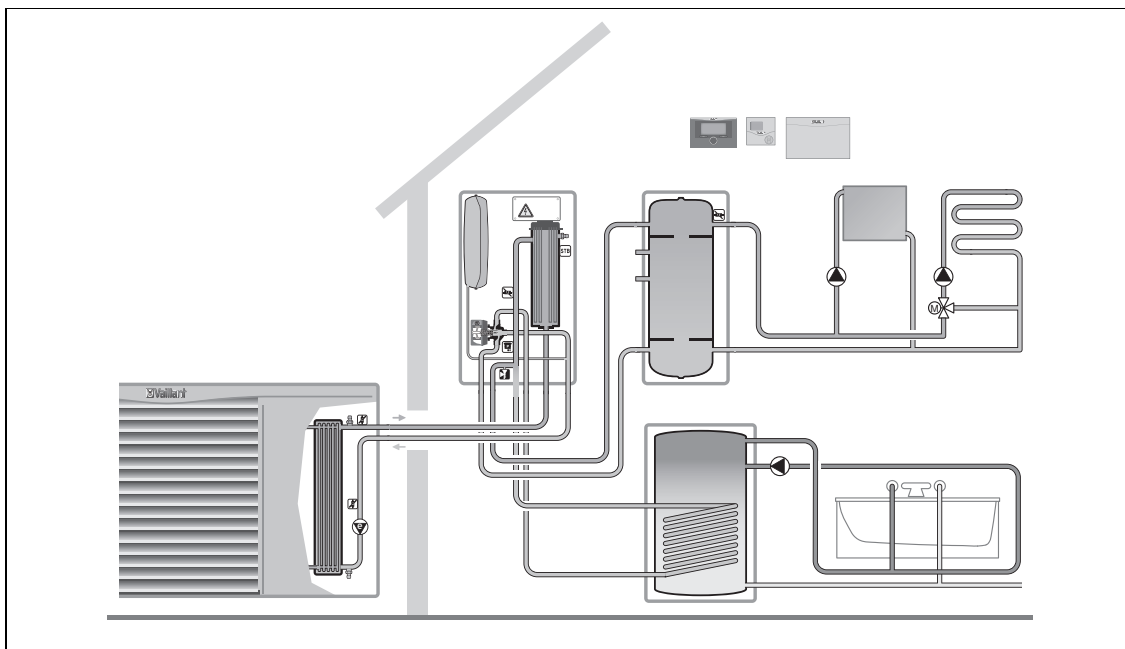
Applicability: Switzerland

Type designation	Art. no.
aroTHERM VWL 55/2 A 230 V	0010016408
aroTHERM VWL 85/2 A 230 V	0010016409
aroTHERM VWL 115/2 A 400 V	0010016411
aroTHERM VWL 155/2 A 400 V	0010016413

The product's article number is part of the serial number (→ Page 10) (**Applicability:** Italy OR Switzerland).

3 Product description

3.1 Design of the heat pump system



The heat pump system consists of the following components:

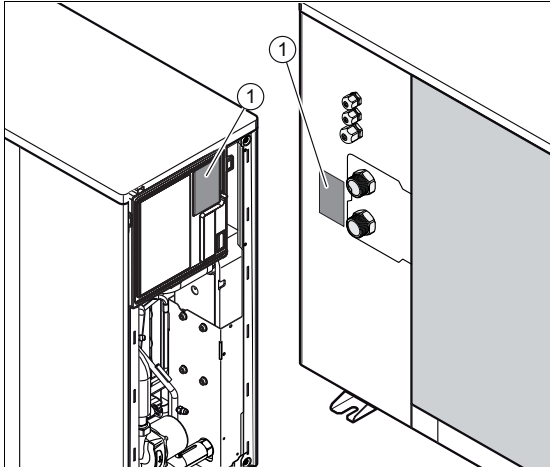
- Heat pump
- VWZ AI heat pump control module
- Additional hydraulic components, if required
- System controller

The heat pump can be operated by the VWZ AI heat pump control module. The extended operation of the heat pump is carried out by the system controller.

3 Product description

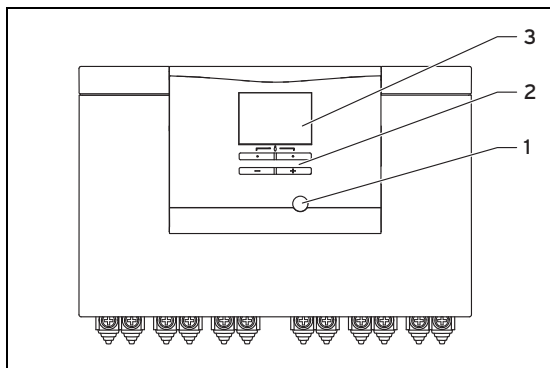
3.2 Type designation and serial number

Applicability: Italy
OR Switzerland



The type designation and serial number are on the identification plate (1).

3.3 Overview of the operator control elements of the VWZ AI heat pump control module



- | | | | |
|---|--|---|-------------------|
| 1 | Fault clearance key
The fault clearance key is used to reset the heat pump faults and heat pump accessory faults. | 2 | Operating buttons |
| | | 3 | Display |

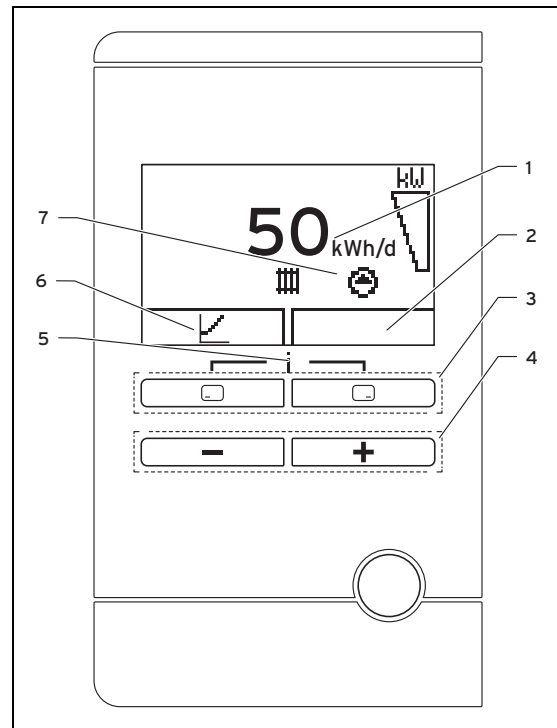
3.4 Digital Information and Analysis System (DIA)

The product is equipped with a Digital Information and Analysis System (DIA system). This system provides information on the operating status of the product and helps you to rectify faults.

The display lights up


- if you switch on the product or
- if you press a button in the DIA system while the product is switched on. At first, pressing this button does not trigger any other function.

The light goes out after one minute if you do not press any button.




- | | | | |
|---|---|---|--|
| 1 | Display of the daily energy yield | 3 | Left- and right-hand selection buttons |
| 2 | Display of the current configuration of the right-hand selection button | 4 | Minus and plus buttons |


- 5 Access to the menu for additional information
- 6 Display of the current configuration of the left-hand selection button
- 7 Display of the symbols for the active operating status of the pumps

Heating mode: 

- The symbol lights up permanently: Heat requirement is present
- The symbol is not visible: Heating mode is not active

Cooling mode: 

- The symbol lights up permanently: Cooling requirement is present
- The symbol is not visible: Cooling mode is not active

Current power: 

- The display shows the current heat pump output

Fault:  F.XXX

- Fault in the heat pump. Appears instead of the basic display; a plain text display explains the displayed fault code.

3.5 CE label



The CE label shows that the products comply with the basic requirements of the applicable directives as stated on the identification plate.


The declaration of conformity can be viewed at the manufacturer's site.

4 Operation

4.1 Operating concept

You can operate the product using the selection buttons and the plus/minus buttons.

Both selection buttons have a soft key function, i.e. their function can change.

By pressing  :

- You can cancel the change to a set value or the activation of an operating mode
- You can go one selection level higher in the menu.

By pressing  :

- You can confirm a set value or the activation of an operating mode
- You can go one selection level lower in the menu.


By pressing  and  at the same time:

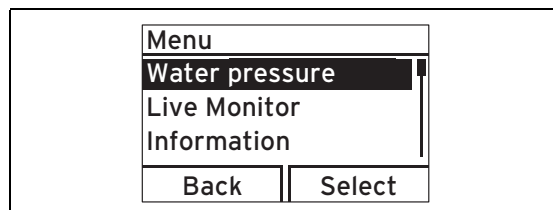
- You can navigate to the menu.

By pressing  or  :

- You can scroll through the entries in the menu
- You can increase or decrease a selected set value.

Adjustable values are always displayed as flashing.

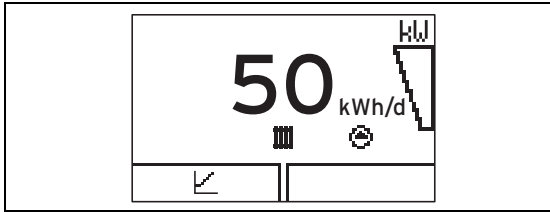
You must always confirm a change to a value. Only then is the new setting saved. You can press  to cancel a procedure. If you do not press any buttons for longer 15 minutes, the display returns to the basic display.



A highlighted object is indicated in the display as light text on a dark background.


4 Operation

4.2 Basic display



The displays shows the basic display with the current status of the product. If you press a selection button, the activated function is displayed in the display.

You can switch back to the basic display by:

- Pressing  and thus exiting the selection levels
- Not pressing any button for longer than 15 minutes.

As soon as a fault message is present, the basic displays switches to the fault message.

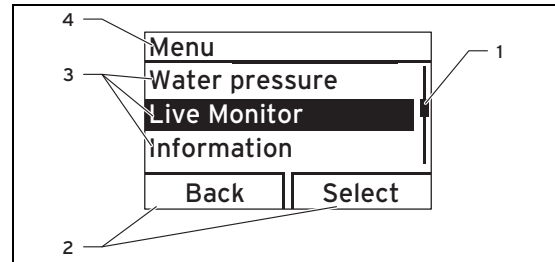
4.3 Operating levels

The product has two operating levels.

The operating level for the operator shows the most important information and offers set-up options which do not require any special prior knowledge.

The operating level for the competent person is reserved for the competent person only and is protected by a code. In this level, the competent person can set system-specific parameters.

4.4 Design of the menu



- | | | | |
|---|---|---|---|
| 1 | Scroll bar (only appears if there are more list entries than can be shown at once on the display) | 2 | Current configuration of the right- and left-hand selection buttons (soft key function) |
| 3 | Selection level list entries | 4 | Name of the selection level |

The menu is split into two selection levels.



Note

Path details at the start of a section specify how to access this function, e.g. **Menu** → **Information** → **Contact data**.

4.4.1 Operator level overview

Setting level	Unit
Menu → Yield indicator →	
Heating	
Cooling	
Menu → Live Monitor	
Heating:	
Compressor switch-off	
Building circuit	
Pressure	
Target flow temp.	
Current flow temp.	
Compressor	
Modulation	
Air inlet temperature	
Cooling output	
Menu → Information	

Setting level	Unit
Contact details	
Serial number	
Device specific number	
Operating hrs. Total	
Operating hrs. Heating	
Operating hrs. Cooling	
Menu → Basic settings →	
Language	15
Display contrast	
Menu → Resets →	
No sub-items Available	

4.5 Live Monitor (status codes)

Menu → Live Monitor

You can use the Live Monitor to display the current status of the product.

4.6 Displaying the building circuit pressure

Menu → Live Monitor → Building circuit pressure

- You can display the current filling pressure of the heating installation in digital form.

4.7 Reading the operating statistics

Menu → Information → Heating op. hours

Menu → Information → Cooling op. hours

Menu → Information → Total operating hours

In each case, you can display the operating hours for the heating mode, the cooling mode and the overall operation.

4.8 Displaying contact data

Menu → Information → Contact details

If your competent person has entered their telephone number during the installation, you can read this data under **Contact data**.

4.9 Displaying the serial number and article number

Menu → Information → Serial number

- The product's serial number is displayed.
- The article number is found in the second line of the serial number.




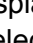


4.10 Setting the display contrast

Menu → Basic setting → Display contrast

- You can use this function to adjust the display contrast to suit your needs.

4.11 Setting the language

If you want to set another language:

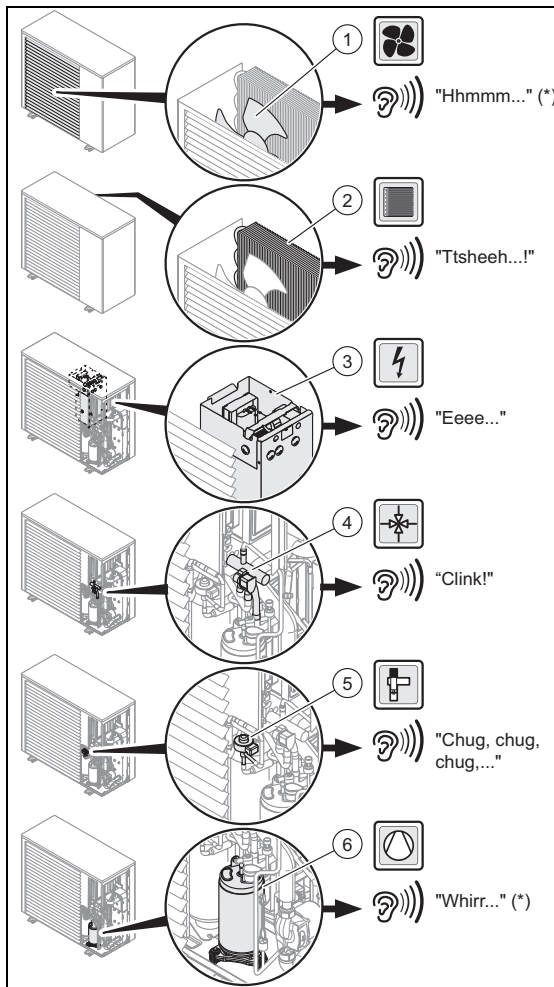
- ▶ Press and hold  and  at the same time.
- ▶ Also press the fault clearance key for a short time.
- ▶ **Press and hold**  and  until the display shows the language setting.
- ▶ Select the required language by pressing  or .
- ▶ Press (OK) to confirm your selection.
- ▶ Once you have set the correct language, press (OK) again to confirm this.

4.12 Switching the product on/off

- ▶ Use a partition with a contact opening of at least 3 mm (e.g. fuses or power switches) to de-energise the product.

4 Operation

4.13 Operating noises



* Permanent operating noises

The noises listed do not constitute a fault with the heat pump.

In various operating modes, the noises come from the heat pump (Start, Thawing, Stop).

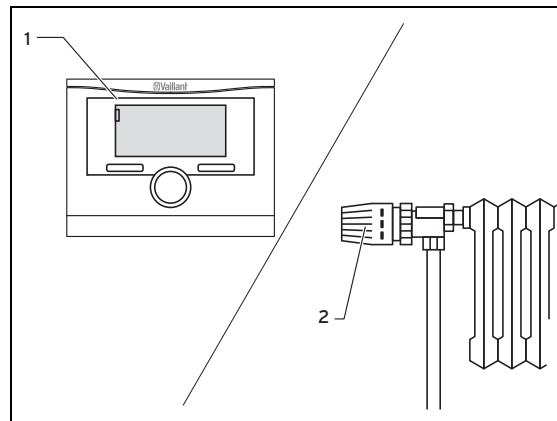
4.14 Activating frost protection

► To prevent the product from freezing, ensure that the product is switched on.

4.15 Setting the target feed temperature in heating mode

The actual target flow temperature is automatically determined by the system controller (you can find further information about this in the operating instructions for the system controller).

4.16 Setting a room thermostat or weather compensator



► Set the room thermostat or the weather compensator (1) and thermostatic radiator valves (2) as specified in the relevant instructions for these accessories.

4.17 Checks and maintenance carried out by the operator

The product switches off if the filling pressure in the heating installation falls below 0.05 MPa (0.5 bar).

► Top up with water.

4.17.1 Cleaning the product

1. Switch the product off before you clean it.
2. Clean the product's casing with a damp cloth and a little soap. Never use scouring or cleaning agents which could damage the casing or the operator control elements.

3. Do not clean the product with a high-pressure cleaner.
4. At regular intervals, check that no branches or leaves have gathered around the product.
2. The maintenance intervals depend on the local conditions and the use of the product.
3. Have parts that are relevant to the function and safety replaced by a competent person.

4.17.2 Checking the maintenance plan



Danger!

Risk of injury and risk of material damage due to neglected or incorrect maintenance and repairs.

Neglected or incorrect maintenance work or repairs may lead to personal injury or damage to the product.

- ▶ Never attempt to carry out maintenance work or repairs on the product.
- ▶ Employ an authorised heating specialist company to complete such work. We recommend making a maintenance agreement.

1. Regular inspection/maintenance of your product by a competent person is a prerequisite for ensuring that the system is constantly ready and safe for operation, reliable and has a long service life.



Note

Failure to carry out maintenance and repair work, and non-compliance with the specified inspection, maintenance and replacement intervals, leads to a loss of potential guarantee claims. We recommend making a maintenance agreement with a competent person.

5 Troubleshooting

5 Troubleshooting

5.1 Detecting and rectifying faults

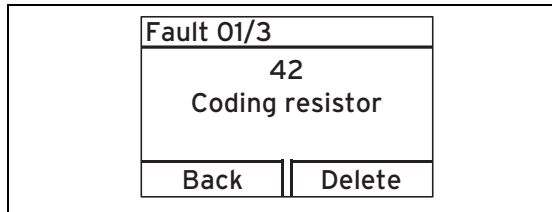
This section shows all of the fault messages that can be rectified without seeking help from the competent person in order to start up the product again.

Remedy (→ Page 16)

- ▶ If the product still does not function after the fault has been rectified, contact your competent person.

Fault	Cause	Remedy
The product no longer works.	The power supply has been disconnected	Ensure that there has not been a power cut and that the product is correctly connected to the power supply. When the power supply is re-established, the product automatically starts up. If a fault is still present, contact your competent person.
Noises (hissing, knocking, humming)	If the heating demand stops, this may lead to bubbling and whistling noises. These noises are caused by the coolant. When the product starts up or stops, this may lead to creaking noises. These noises are caused by the casing as it expands or contracts when the temperature changes. If the product is functioning, this may lead to humming noises. These noises are caused by the compressor when the product is in heating mode.	
The product releases steam.	In winter and during the thawing procedure, steam may escape from the product. (The heat of the product melts the ice that has formed.)	
Other faults		Consult your competent person.

5.2 Reading the fault message



Fault messages have priority over all other displays and are shown instead of the basic display. If several faults occur at the same time, these are each displayed alternately for two seconds each.

- ▶ If your product displays a fault message, contact a competent person.
- ▶ To find out more information about the status of your product, call up the "Live Monitor" (→ Page 13).

5.3 Troubleshooting

5.3.1 Overview of the maintenance messages

Applicability: Italy
OR Switzerland

The following maintenance messages may be displayed in the hydraulic station.

Code	Meaning	Cause	Remedy
M.20	Top up heating water	– Insufficient heating water in the product	– Add heating water to the product.

6 Care and maintenance

6.1 Maintenance

An annual inspection and biennial maintenance of the product carried out by a competent person is a prerequisite for ensuring that the product is permanently ready and safe for operation, reliable, and has a long working life. The inspection may require maintenance to be carried out earlier, depending on the results.

6.2 Caring for the product



Caution.

Risk of material damage caused by unsuitable cleaning agents.

- ▶ Do not use sprays, scouring agents, detergents, solvents or cleaning agents that contain chlorine.

- ▶ Clean the casing with a damp cloth and a little solvent-free soap.

7 Decommissioning

7.1 Having the product temporarily decommissioned

- ▶ If, during long periods of absence, the power supply to the dwelling and to the product is interrupted, have the heating system drained by your competent person or have it sufficiently protected against frost.

8 Recycling and disposal

7.2 Having the product permanently decommissioned

- ▶ Have a competent person permanently decommission the product.

8 Recycling and disposal

- ▶ The competent person who installed your product is responsible for the disposal of the packaging.



If the product is identified with this symbol:

- ▶ In this case, do not dispose of the product with the household waste.
- ▶ Instead, hand in the product to a collection centre for old electrical or electronic appliances.



If the product contains batteries that are marked with this symbol, these batteries may contain substances that are hazardous to human health and the environment.

- ▶ In this case, dispose of the batteries at a collection point for batteries.

8.1 Arranging disposal of coolant

The Vaillant **aroTHERM** heat pump is filled with the coolant R410A.

- ▶ Coolant must only be disposed of by qualified competent persons.
- ▶ Observe the general safety information.

9 Guarantee and customer service

9.1 Guarantee

Applicability: Switzerland

La garanzia del costruttore ha valore solo se l'installazione è stata effettuata da un tecnico abilitato e qualificato ai sensi della legge. L'acquirente dell'apparecchio può avvalersi di una garanzia del costruttore alle condizioni commerciali Vaillant specifiche del paese di vendita e in base ai contratti di manutenzione stipulati.

I lavori coperti da garanzia vengono effettuati, di regola, unicamente dal nostro servizio di assistenza.

Applicability: Italy

1. Vaillant garantisce la qualità, l'assenza di difetti e il regolare funzionamento dei propri prodotti, impegnandosi a eliminare ogni difetto originario a titolo completamente gratuito nel periodo coperto dalla presente Garanzia.
2. La presente Garanzia è offerta per l'acquisto dei prodotti nuovi e dura DUE ANNI dalla data di acquisto del prodotto da parte dell'utente finale.
3. La presente Garanzia opera esclusivamente per i prodotti Vaillant commercializzati e installati in Italia, Repubblica di San Marino, stato Città del Vaticano e viene prestata da Vaillant, i cui riferimenti sono indicati in calce, attraverso la propria Rete di Assistenza Tecnica Ufficiale denominata "Vaillant Service".
4. Per far valere i diritti di cui alla presente Garanzia convenzionale l'utente dovrà:
 - far effettuare la Prima Accensione Gratuita da un centro d'assistenza Ufficiale per i seguenti prodotti: caldaie, termoregolazione, collettori e bollitori solari, pompe di calore, unità di ventilazione meccanica

Guarantee and customer service 9

- controllata. All'atto della Prima Accensione il CAT provvederà a registrare sulla Cartolina di Garanzia la data di acquisto del prodotto da parte dell'utente attestata da un titolo di acquisto e dalla dichiarazione di conformità, incaricandosi di consegnarla a Vaillant Group Italia S.p.A.
- compilare la Cartolina di Garanzia e spedirla direttamente a Vaillant Group Italia S.p.A, per i seguenti prodotti: scaldabagni e condizionatori. Per la validità della garanzia farà fede il titolo di acquisto del prodotto e la dichiarazione di conformità rilasciata da una ditta abilitata secondo le norme vigenti;
 - richiedere in caso di difetto o guasto l'intervento gratuito a domicilio sul prodotto installato contattando il Centro di Assistenza Ufficiale.
5. La Prima Accensione Gratuita del prodotto non costituisce in nessun caso il collaudo dell'impianto e neppure sostituisce altre operazioni di installazione, verifica, controllo e manutenzione dovute e svolte sull'impianto da soggetti abilitati a norma di Legge, le quali, anche se richieste in occasione della Prima Accensione Gratuita, dovranno essere concordate e prestate separatamente dalla presente Garanzia. A titolo indicativo e non esaustivo, per esempio: riempimento circuito riscaldamento, circuito solare, circuito frigorifero, circuito soluzione salina, analisi di combustione, prova tenuta tubazione gas, prova di tiraggio della canna fumaria, etc.
6. Vaillant si riserva di valutare e di offrire un rimedio di riparazione, o di sostituzione, tecnicamente idoneo a risolvere gli eventuali difetti del prodotto. In ogni caso la riparazione o la sostituzione di pezzi del prodotto, o se necessario l'eventuale sostituzione
- del prodotto durante il periodo coperto dalla presente Garanzia, non comportano un prolungamento del periodo di Garanzia.
7. Sono esclusi dalla presente Garanzia altri prodotti presenti nell'impianto, non inseriti in questa garanzia, e tutti i difetti che risultano dovuti alle seguenti cause:
- manomissione o errata regolazione del prodotto da parte dell'utente o di terzi al di fuori della Rete di Assistenza Tecnica Vaillant Service,
 - condizioni di utilizzo non previste dalle istruzioni e avvertenze, precauzioni, raccomandazioni fornite da Vaillant a corredo del prodotto e degli obblighi di manutenzione imposti dalla legislazione vigente;
 - condizioni di utilizzo e manutenzioni errate del prodotto e/o dell'impianto, tenuto conto di quanto indicato nelle istruzioni, avvertenze, precauzioni, raccomandazioni,
 - utilizzo di parti di ricambio non originali Vaillant,
 - fenomeni non imputabili al prodotto quali errato dimensionamento, blocchi o malfunzionamenti delle pompe e/o intasamenti dovuti a sporcizia in genere presente nei circuiti (es. di riscaldamento, sanitario, frigorifero ecc.),
 - difettosità dell'impianto, errori di installazione o non conformità dell'impianto rispetto alle istruzioni (avvertenze, precauzioni, raccomandazioni) e alle leggi e ai regolamenti e alle norme tecniche applicabili (es. errata regolazione, alimentazione del prodotto con gas o tensione impropria, utilizzo al di fuori del campo di omologazione del prodotto, mancanza del collegamento delle valvole di sicurezza alla rete fognaria ecc.),

9 Guarantee and customer service

- comportamenti colposi o dolosi imputabili a soggetti terzi rispetto a Vaillant, nelle fasi di trasporto, movimentazione, stoccaggio, montaggio, installazione e regolazione del prodotto,
- eventi di forza maggiore (es. fulmini, inondazioni, terremoti, gelo ecc.), scioperi, manifestazioni o atti vandalici.
 - Sono, inoltre, esclusi:
- i materiali e le parti di consumo, quali guarnizioni e filtri, se non quando sia provato il vizio di fabbricazione,
- le spese necessarie per la riparazione di prodotti installati in ambienti e/o posizioni difficilmente raggiungibili dal Centro Assistenza Ufficiale senza l'ausilio di attrezzature particolari (a titolo di puro esempio: ponteggi, scale, carrelli elevatori, smontaggio di arredi, es. pensili della cucina),
- la fornitura e l'acquisto di combustibile, energia elettrica, acqua potabile, ecc.
 - Ogni eventuale intervento di assistenza tecnica richiesto per eliminare difetti o guasti imputabili a una delle cause di esclusione di cui sopra potrà essere concordato separatamente dalla presente Garanzia, e tutti i costi e gli oneri relativi saranno a carico dell'utente.

8. La presente Garanzia Convenzionale lascia impregiudicati i diritti dell'utente rispetto a quanto stabilito dalla Direttiva 99/44/CEE per le garanzie legali di vendita e dal relativo Decreto di recepimento in Italia (D.Lgs. n. 206/2005 – Codice del Consumo).
9. Le presenti condizioni di Garanzia sono le uniche offerte dalla Vaillant all'utente e non possono essere

sostituite o modificate da altre dichiarazioni o promesse da chiunque fornite. Solo Vaillant Group Italia potrà integrare le condizioni di garanzia per alcuni prodotti (le dichiarazioni saranno eventualmente consultabili sul sito internet www.vaillant.it).

9.2 Customer service

Applicability: Switzerland

Vaillant GmbH (Schweiz, Suisse, Svizzera)

Riedstrasse 12
CH-8953 Dietikon

Schweiz, Svizzera, Suisse

Kundendienst: 044 74429-29

Techn. Vertriebssupport: 044 74429-19

Applicability: Switzerland

Vaillant Sàrl
Rte du Bugnon 43
CH-1752 Villars-sur-Glâne

Schweiz, Svizzera, Suisse

Service après-vente tél.: 026 40972-17

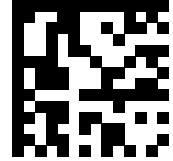
Service après-vente fax: 026 40972-19

Applicability: Italy

I Centri di Assistenza ufficiali Vaillant sono formati da tecnici qualificati e sono istruiti direttamente da Vaillant sui prodotti.

I Centri di Assistenza ufficiali Vaillant utilizzano inoltre solo ricambi originali.

Contatti il Centro di Assistenza ufficiale Vaillant più vicino chiamando il numero verde 800-088766 oppure consultando il sito www.vaillant.it



0020172515_05

0020172515_05 ■ 02.05.2017

Supplier

Vaillant Group Italia S.p.A unipersonale

Società soggetta all'attività di direzione e coordinamento della Vaillant GmbH

Via Benigno Crespi 70 ■ 20159 Milano

Tel. 02 697121 ■ Fax 02 69712500

Centro di Assistenza Tecnica Vaillant Service 800 088766

Registro A.E.E. IT08020000003755 ■ Registro Pile IT09060P00001133

info.italia@vaillantgroup.it ■ www.vaillant.it

Vaillant GmbH (Schweiz, Suisse, Svizzera)

Riedstrasse 12 ■ CH-8953 Dietikon

Tel. 044 74429-29 ■ Fax 044 74429-28

Kundendienst 044 74429-29 ■ Techn. Vertriebsupport 044 74429-19

info@vaillant.ch ■ www.vaillant.ch

© These instructions, or parts thereof, are protected by copyright and may be reproduced or distributed only with the manufacturer's written consent.

We reserve the right to make technical changes.